



SINCE 1908  
**wessels**  
 company

SUBMITTAL

**SS-AP-SERIES**

SEVERE SERVICE IN-LINE AIR PURGERS

Models: SS-AP-104 thru SS-AP-122

Submittal Sheet No. H-1101A

Date: 4/16

Job Name _____	Submitted By _____	Date _____
Location _____	Approved By _____	Date _____
_____	Order No. _____	Date _____
Engineer _____	Notes _____	
Contractor _____	_____	
Sales Rep. _____	_____	

**Description**

Wessels Severe Service Stainless Steel In-Line Air Purgers are used for commercial and industrial hydronic systems to effectively control and eliminate entrained air. They are designed for systems that require internal and external protection that is more robust than traditional fabricated steel designs. The purgers are fabricated to conform to ASME requirements and include an embossed flow indicator arrow for proper installation.

**Construction**

Fabricated 304 Stainless Steel\*  
 \*316L Stainless Steel Also Available

**Performance Limitations**

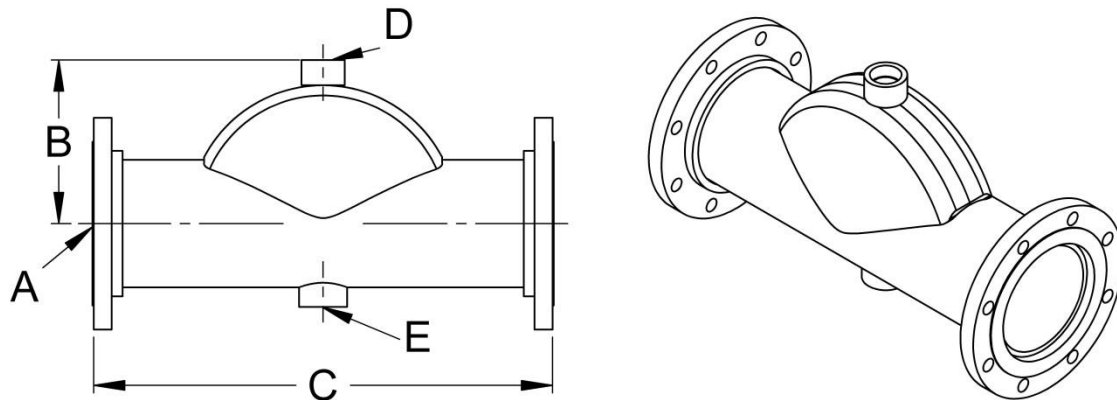
Maximum Design Temperature: 450°F  
 Maximum Design Pressure: 150 PSIG

Model Number	Part Number	Max Flow (GPM)	Tagging Information	Quantity
SS-AP-104	37630040	300		
SS-AP-105	37630050	530		
SS-AP-106	37630060	850		
SS-AP-108	37630080	1900		
SS-AP-110	37630100	3200		
SS-AP-112	37630120	4800		
SS-AP-114	37630140	6100		
SS-AP-116	37630160	8000		
SS-AP-118	37630180	9700		
SS-AP-120	37630220	12000		
SS-AP-124	37630240	17000		

**Typical Specification**

Furnish and install, as shown on plans, a 304 Stainless Steel In-Line Air Purger Model SS-AP-\_\_\_\_\_, equipped with integral flow baffle as manufactured by Wessels Company. The air purger shall be designed and constructed for 150 PSI @ 450°F.

Each air purger shall be Wessels model number SS-AP-\_\_\_\_\_ or approved equal.



SS-AP-104 thru SS-AP-124

**Dimensions & Weights**

Model	Dimensions In Inches					Shipping Weight (lbs)
	Dimensions			Tappings		
	A	B	C	D	E	
SS-AP-104	4	5	12	3/4	1/2	36
SS-AP-105	5	7 1/2	20	1 1/4	1 1/2	74
SS-AP-106	6	8 1/2	24			79
SS-AP-108	8	11 1/4	32			162
SS-AP-110	10	14	40			239
SS-AP-112	12	16 3/4	48			348
SS-AP-114	14	19 1/4	56			474
SS-AP-116	16	21 1/4	64			617
SS-AP-118	18	23 1/2	72			769
SS-AP-120	20	26 1/2	80			973
SS-AP-124	24	33 3/4	96			1486