

SINCE 1908  
**wessels**  
 company

SUBMITTAL

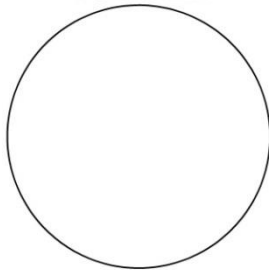
**CUSTOM VERTICAL SERIES**  
 CUSTOM TANKS

Submittal Sheet No. L-1001A

Date: 4/16

Job Name _____	Submitted By _____	Date _____
Location _____	Approved By _____	Date _____
_____	Order No. _____	Date _____
Engineer _____	Notes _____	
Contractor _____	_____	
Sales Rep. _____	_____	

TOP VIEW



**Construction**

- ASME
- Non-ASME
  
- Carbon Steel
- Stainless Steel
  - Grade 304
  - Grade 316

**Dimensions**

Diameter: \_\_\_\_\_  
 Height: \_\_\_\_\_  
 Or  
 Capacity: \_\_\_\_\_ Gallons  
 Size Limitations  
 Width: \_\_\_\_\_  
 Height: \_\_\_\_\_  
 Length: \_\_\_\_\_

Minimum Design Temperature \_\_\_\_\_  
 Maximum Design Temperature \_\_\_\_\_  
 Working Pressure \_\_\_\_\_

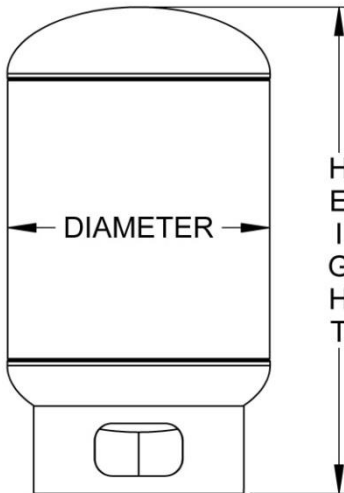
**Openings & Connections**

- NPT  
 Qty. \_\_\_\_\_ Size \_\_\_\_\_  
 Qty. \_\_\_\_\_ Size \_\_\_\_\_  
 Qty. \_\_\_\_\_ Size \_\_\_\_\_
- Flange  
 Qty. \_\_\_\_\_ Size \_\_\_\_\_  
 Qty. \_\_\_\_\_ Size \_\_\_\_\_
- Grooved  
 Qty. \_\_\_\_\_ Size \_\_\_\_\_  
 Qty. \_\_\_\_\_ Size \_\_\_\_\_  
 Qty. \_\_\_\_\_ Size \_\_\_\_\_
- Manway  
 Qty. \_\_\_\_\_ Size \_\_\_\_\_
- Other \_\_\_\_\_  
 Qty: \_\_\_\_\_ Size \_\_\_\_\_

**Tank Supports**

- Angle Legs
- Base Ring w/ Opening
  - Hold Down Clips  
 Qty: \_\_\_\_\_
- Base Ring w/out Opening
  - Hold Down Clips  
 Qty: \_\_\_\_\_

FRONT VIEW



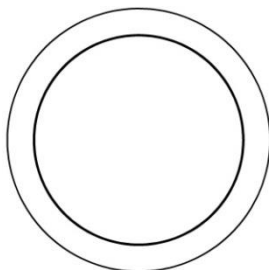
**Finish & Linings**

**Interior**

- None
- Epoxy lined
- Glass lined
- Cement lined
- Galvanized
- Rubber lined
- \_\_\_\_\_

**Exterior**

- None
- Standard Primer
- Epoxy
- Galvanized
- Polyurethane  
 Color \_\_\_\_\_
- Insulation
- \_\_\_\_\_



BOTTOM VIEW

**Other Notes** \_\_\_\_\_