



SINCE 1908  
**wessels**  
 company

**SUBMITTAL**

**EP-FXA-SERIES**

SEVERE SERVICE EPOXY LINED  
 HYDRO-PNEUMATIC TANKS

Models: EP- FXA-1000 thru EP-FXA-15000

Submittal Sheet No. H-1014A

Date: 4/16

Job Name _____	Submitted By _____	Date _____
Location _____	Approved By _____	Date _____
_____	Order No. _____	Date _____
Engineer _____	Notes _____	
Contractor _____	_____	
Sales Rep. _____	_____	

**Description**

Wessels type EP-FXA severe service tanks are an epoxy lined, interior and exterior, carbon steel, ASME replaceable bladder type pre-charged hydro-pneumatic tank for commercial and industrial well and water systems, booster systems, or other potable water applications. They are designed for systems that require internal and external protection that is more robust than traditional fabricated plain steel designs. This construction allows for delivery of water under pressure between pump cycles to provide sufficient flow to meet demands. The water is contained in a butyl bladder. All EP-FXA hydro-pneumatic tanks can be installed vertically or horizontally.

**Construction**

Shell: Carbon Steel  
 Bladder: Heavy Duty Butyl  
 Interior/Exterior: NSF Listed Epoxy

**Performance Limitations**

Maximum Design Temperature: 240°F  
 Maximum Design Pressure: 125 PSIG\*

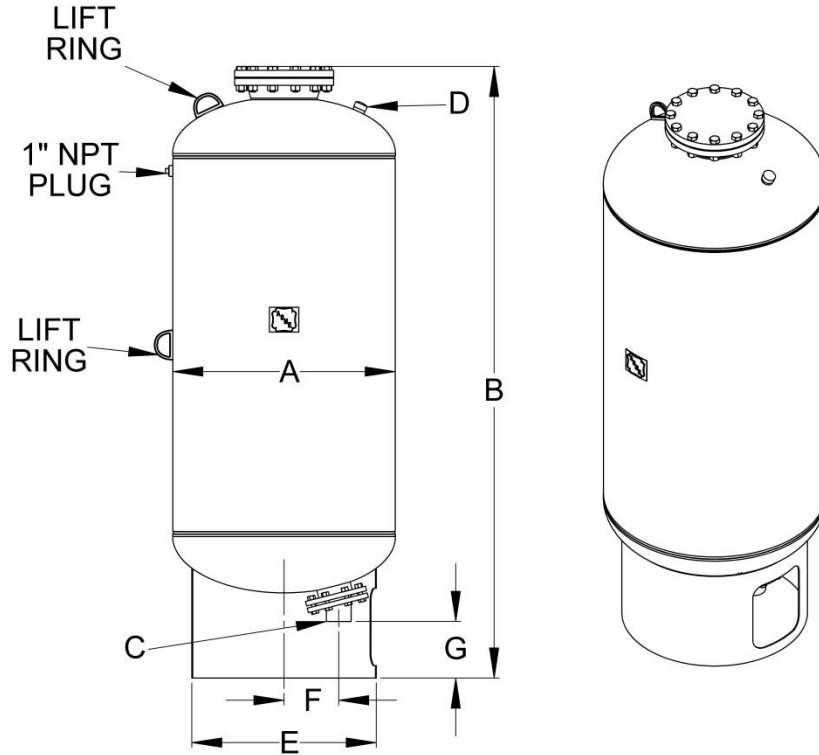
\*200 & 250 PSIG available

Model Number	Part Number	Tank Volume (Gallons)	Tagging Information	Quantity
EP-FXA-1000	27011000	264		
EP-FXA-1200	27011200	317		
EP-FXA-1400	27011400	370		
EP-FXA-1600	27011600	422		
EP-FXA-2000	27012000	528		
EP-FXA-2500	27012500	660		
EP-FXA-3000L	27013000	792		
EP-FXA-3000S	27013001	792		
EP-FXA-4000	27014000	1056		
EP-FXA-5000	27015000	1320		
EP-FXA-7500	27017500	1980		
EP-FXA-10000	27019999	2640		
EP-FXA-15000	27010000	3963		

**Typical Specification**

Furnish and install, as shown on plans, a \_\_\_\_\_ gallon \_\_\_\_\_" diameter X \_\_\_\_\_" (high) pre-charged steel hydro-pneumatic tank with heavy-duty butyl bladder. The interior and exterior shall be properly prepared and shall be epoxy lined with a NSF listed two part epoxy coating. Epoxy coating will be continuous over the entire surface of the tank. The tank shall have bottom NPT system connections and a 0.302"-32 charging valve connection (standard tire valve) to facilitate the on-site charging of the tank to meet system requirements. The tank will have a lifting ring and a floor mounting skirt for vertical installation. The tank must be constructed in accordance with most recent addendum of Section VIII of the ASME Boiler and Pressure Vessel Code.

Each tank shall be Wessels model number EP-FXA- \_\_\_\_\_ or approved equal.



EP-FXA-1000 thru EP-FXA-15000

**Dimensions & Weights**

Model Number	Dimensions in Inches							Approx. Ship Wt. (lbs)
	A	B	System Connection	Charging Valve	E	F	G	
			C	D				
EP-FXA-1000	36	87	3	0.302" - 32NC	30	8	8 1/2	735
EP-FXA-1200		98 1/2						745
EP-FXA-1400		110 1/2						900
EP-FXA-1600	48	84	4		42	9	8 3/4	1210
EP-FXA-2000		96						1305
EP-FXA-2500		110						1430
EP-FXA-3000L	60	138	4		54	10	8 1/4	1575
EP-FXA-3000S		93						2169
EP-FXA-4000		115						2638
EP-FXA-5000	72	138	4		60	11	8 1/4	3246
EP-FXA-7500		140						4080
EP-FXA-10000		172						4920
EP-FXA-15000		243						6000

**Notes**

- Tanks are factory pre-charged at 30 psi and field adjustable.
- California code-sight glass is available upon request.
- Tanks installed horizontally must have the system connection below the horizontal centerline of the tank.
- Available with mounting clips.