

SINCE 1908
wessels
 company

SUBMITTAL

EP-FXA-SERIES

SEVERE SERVICE EPOXY LINED
 HYDRO-PNEUMATIC TANKS

Models: EP-FXA-35 thru EP-FXA-800L

Submittal Sheet No. H-1012C

Date: 4/16

Job Name _____	Submitted By _____	Date _____
Location _____	Approved By _____	Date _____
_____	Order No. _____	Date _____
Engineer _____	Notes _____	
Contractor _____	_____	
Sales Rep. _____	_____	

Description

Wessels type EP-FXA severe service tanks are an epoxy lined, interior and exterior, carbon steel, ASME replaceable bladder type pre-charged hydro-pneumatic tank for commercial and industrial well and water systems, booster systems, or other potable water applications. They are designed for systems that require internal and external protection that is more robust than traditional fabricated plain steel designs. This construction allows for delivery of water under pressure between pump cycles to provide sufficient flow to meet demands. The water is contained in a butyl bladder. All EP-FXA hydro-pneumatic tanks can be installed vertically or horizontally.

Construction

Shell: Carbon Steel
 Bladder: Heavy Duty Butyl
 Interior/Exterior: NSF Listed Epoxy

Performance Limitations

Maximum Design Temperature: 240°F
 Maximum Design Pressure: 125 PSIG*

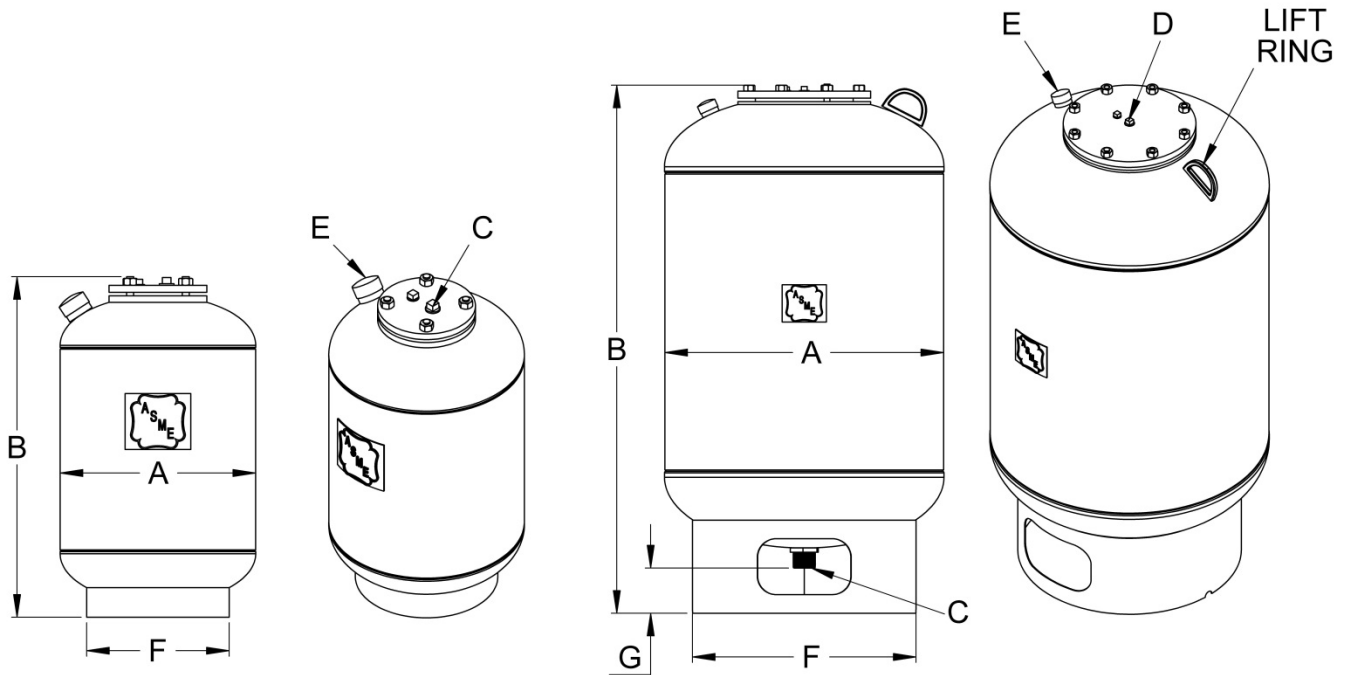
*200 & 250 PSIG available

Model Number	Part Number	Tank Volume (Gallons)	Tagging Information	Quantity
EP-FXA-35	27010035	10		
EP-FXA-50	27010050	13		
EP-FXA-85	27010085	23		
EP-FXA-130	27010130	35		
EP-FXA-200	27010200	53		
EP-FXA-300	27010300	79		
EP-FXA-400	27010400	106		
EP-FXA-500	27010500	132		
EP-FXA-600	27010600	158		
EP-FXA-800L	27010805	211		

Typical Specification

Furnish and install, as shown on plans, a _____ gallon _____" diameter X _____" (high) pre-charged steel hydro-pneumatic tank with heavy-duty butyl bladder. The interior and exterior shall be properly prepared and shall be epoxy lined with a NSF listed two part epoxy coating. The tank shall have NPT system connections and a .302"-32 charging valve connection (standard tire valve) to facilitate the on-site charging of the tank to meet system requirements. The tank will have a lifting ring and a floor mounting skirt for vertical installation. The tank must be constructed in accordance with most recent addendum of Section VIII Division 1 of the ASME Boiler and Pressure Vessel Code.

Each tank shall be Wessels model number EP-FXA-_____ or approved equal.



EP-FXA-35 and EP-FXA-50

EP-FXA-85 thru EP-FXA-800L

Dimensions & Weights

Model Number	Dimensions in Inches						Approx. Ship Wt. (lbs)	
	A	B	System Connection		Charging Valve	F		G
			C	D	E			
EP-FXA-35	12	23 1/2	3/4	-	0.302 - 32NC	10	-	40
EP-FXA-50	14	24					-	50
EP-FXA-85	16	37	1	1/2		12	5 1/2	90
EP-FXA-130	20					16		125
EP-FXA-200	24	43	1 1/2	3/4		20	5 1/4	210
EP-FXA-300		55						225
EP-FXA-400	30	49	2	24		300		
EP-FXA-500		57						330
EP-FXA-600	32	65	2	28		475		
EP-FXA-800L		76					360	

Notes

- Tanks are factory pre-charged at 30 psi and field adjustable.
- California code-sight glass is available upon request.
- Both top and bottom connections (C and D) access the bladder.
- Bottom connection C is intended to be used for main water supply connection. Top connection D can be used for auxiliary gauge, pressure switch, etc.
- Available with mounting clips.