

SINCE 1908
wessels
 company

SUBMITTAL

FX-SERIES

HYDRO-PNEUMATIC TANKS

Models: FX-8 thru FX-2000V

Submittal Sheet No. C-1101A

Date: 4/16

Job Name _____	Submitted By _____	Date _____
Location _____	Approved By _____	Date _____
_____	Order No. _____	Date _____
Engineer _____	Notes _____	
Contractor _____		
Sales Rep. _____		

Description

Wessels type FX-Series Tanks are non-ASME replaceable bladder type pre-charged hydro-pneumatic tanks for residential and commercial well and water systems, booster systems, irrigation systems, etc. They are designed to deliver water under pressure between pump cycles to provide sufficient flow to meet demands. The water is contained in a butyl bladder. The exterior has a baked epoxy finish.

Construction

Shell: Carbon Steel
 Bladder: Heavy Duty Butyl (FDA Approved)
 System Connection: Stainless Steel

Performance Limitations

Maximum Design Temperature: 240°F
 Maximum Design Pressure: 150 PSIG



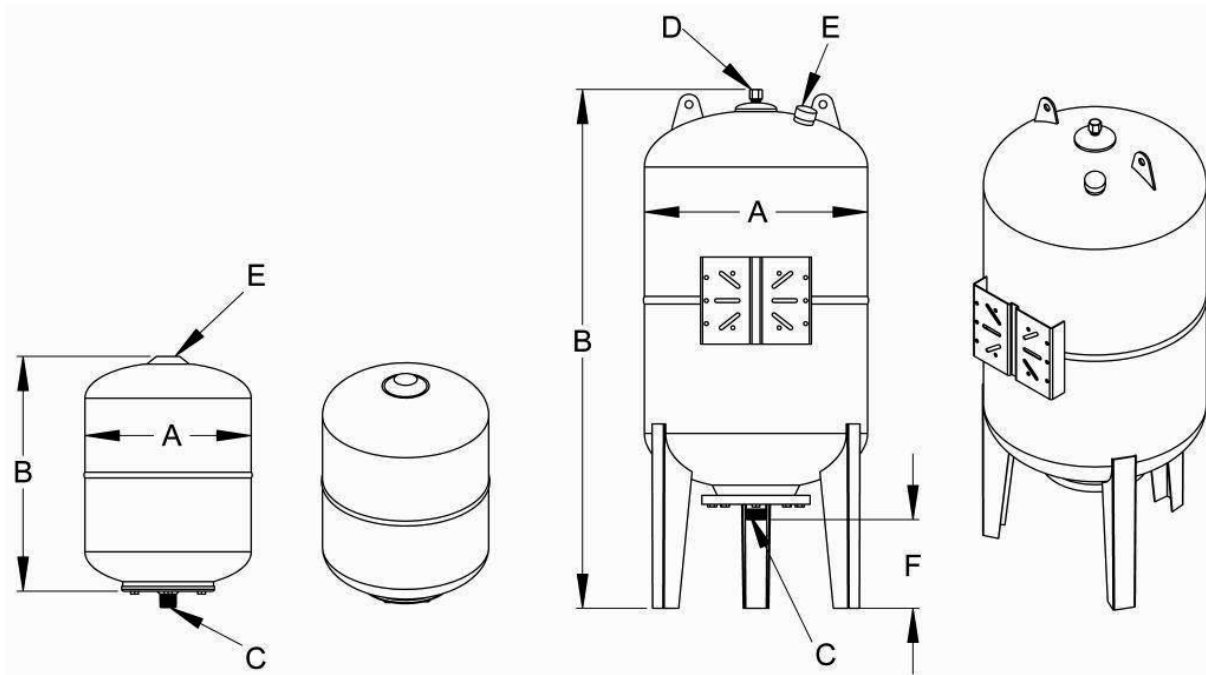
Listed
 Materials

Model Number	Part Number	Tank Volume (Gallons)	Tagging Information	Quantity
FX 8	30011008	2.1		
FX 19	30011019	5		
FX 24	30011024	6.3		
FX 60V	30011060	16		
FX 80V	30011080	21		
FX 100V	30011100	26		
FX 200V	30011200	52		
FX 300V	30011300	80		
FX 500V	30011500	132		
FX 750V	30011700	198		
FX 1000V	30011000	264		
FX 2000V	30012000	528		

Typical Specification

Furnish and install, as shown on plans, a _____ gallon _____" diameter X _____" (high) pre-charged hydro-pneumatic tank with heavy-duty butyl bladder. The tank shall have stainless steel NPT system connections and a 0.302"-32 charging valve connection (standard tire valve) to facilitate the on-site charging of the tank to meet system requirements.

Each tank shall be Wessels model number FX- _____ or approved equal.



FX-8 thru FX-24

FX-60V thru FX-2000V

Dimensions & Weights

Model Number	Dimensions in Inches					Approx. Ship Wt. (lbs)
	A	B	System Connection		Charging Valve	
			C	D	E	
FX 8	8	13	3/4	-	-	7
FX 19	11	16				13
FX 24	14	13				15
FX 60V	15	34	1	-	0.302"-32NC	7
FX 80V	18	34				7.7
FX 100V	18	38				7.2
FX 200V	22	49	1 1/2	1/2	-	8.5
FX 300V	25	55				141
FX 500V	31	61				265
FX 750V	31	79	2	-	-	9
FX 1000V	37	77				398
FX 2000V	50	84				835

Notes

- Tanks are factory pre-charged at 30 psi and field adjustable.
- All vertical models furnished with three mounting legs.
- Lifting rings are standard on models FX-100V thru FX-2000V.