

SINCE 1908
wessels
 company

SUBMITTAL

GMP-SERIES
 GLYCOL MAKE-UP PACKAGE

Models: GMP-13050 to GMP-15100
 Submittal Sheet No. I-1102B Rev. 1 3/9/2020

Job Name _____	Submitted By _____	Date _____
Location _____	Approved By _____	Date _____
_____	Order No. _____	Date _____
Engineer _____	Notes _____	_____
Contractor _____	_____	_____
Sales Rep. _____	_____	_____

Description:

The single GMP unit is designed to automatically supply a pressurized solution, such as glycol and water, to a closed loop heating, chilled water, snowmelt, radiant heating, sprinkler, or process control system to ensure minimum system pressure requirements are met. These systems are equipped with HOA controls, an adjustable pressure reducing valve (PRV), pressure gauge, and a low level alarm that cuts power to the pump and actuates an audible and visual alarm when solution levels are too low.

Performance Limitations:

Maximum Temperature: 160°F
 Factory Discharge Pressure Setting: 12 PSIG
 Maximum Discharge Pressure: 70 PSIG*

*Higher discharge pressures available.

Available Options:

- High level alarm
- Protective skirt

MODEL NUMBER	PART NUMBER	TANK VOLUME (GAL)	TAGGING INFORMATION	QUANTITY
GMP-13050	07101052	50		
GMP-13100	07101102	100		
GMP-15050	07102052	50		
GMP-15100	07102102	100		

Typical Specification:

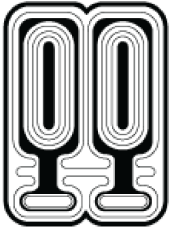
Furnish and install, as indicated on the plans and specifications, a prefabricated, automatic and autonomous make-up package capable of producing _____GPM at _____psig to each glycol system. The package shall consist of a sturdy steel frame, a graduated polyethylene solution container with removable lid, and a 110V, 60Hz powered autonomous pumping assembly designed to maintain a specific fill pressure in the glycol system. The make-up package must feature a protective low water cut-off alarm, HOA controls, _____HP (1/3 or 1/2) motor with a brass rotary vane pump, magnetic starter, pressure tank with pressure control, pressure reducing valve, pressure gauge, and a system isolation valve. A 110V signal shall be available for a remote alarm.

Each glycol make-up package shall be model GMP - _____ as manufactured by Wessels Company or approved equal.



SINCE 1908
wessels
 company

101 Tank Street Greenwood, IN 46143
 P: 317-888-9800 F: 317-865-7411
 www.westank.com

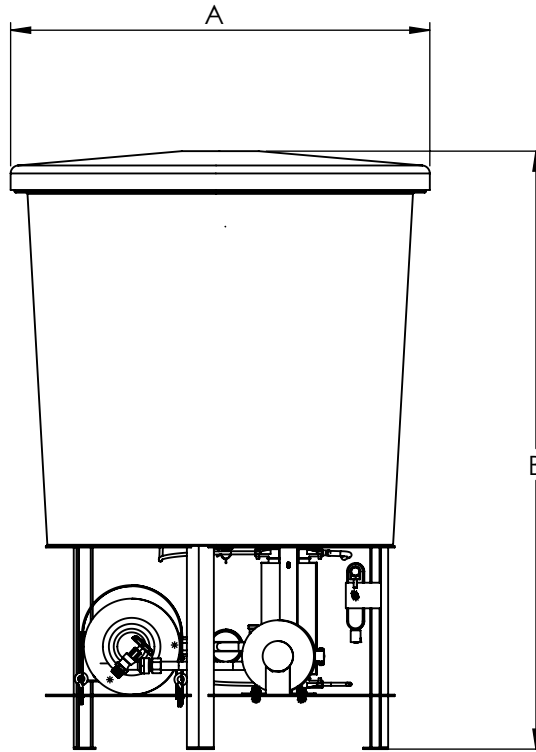


SINCE 1908
wessels
 company

SUBMITTAL

GMP-SERIES
 GLYCOL MAKE-UP PACKAGE

Models: GMP-13050 to GMP-15100
 Submittal Sheet No. I-1102B Rev. 1 3/9/2020



GMP-13050 TO GMP-15100

Dimensions & Weights:

Model Number	Dimensions in Inches		HP	Pressure Range (psi)	Make-Up Capacity (gpm @ psi)	Approx. Shipping Weight (lbs)
	A	B				
GMP-13050	34	45	1/3	10-70	1.8 @ 70	134
GMP-13100		68				140
GMP-15050		45	1/2			138
GMP-15100		68				144



SINCE 1908
wessels
 company

101 Tank Street Greenwood, IN 46143
 P: 317-888-9800 F: 317-865-7411
 www.westank.com