

SINCE 1908
wessels
 company

SUBMITTAL

NTA-SERIES
 HVAC EXPANSION TANKS

Models: NTA-15 to NTA-280

Submittal Sheet No. A-1004C

Rev. 3 7/30/2019

Job Name _____	Submitted By _____	Date _____
Location _____	Approved By _____	Date _____
_____	Order No. _____	Date _____
Engineer _____	Notes _____	_____
Contractor _____	_____	_____
Sales Rep. _____	_____	_____

Description:

Wessels NTA series are ASME fixed diaphragm type pre-charged HVAC expansion tanks. They are designed to absorb the expansion forces and control the pressure in heating / cooling systems. The system's expanded water (fully compatible with water / glycol mixtures) is contained in a heavy-duty diaphragm that prevents tank corrosion and waterlogging problems. All NTA expansion tanks can be installed vertically or horizontally.

Construction:

Shell: Carbon Steel
 Heads: Carbon Steel
 Exterior: Red Oxide Primer
 Interior: Heavy-duty Butyl

Design Parameters:

Maximum Design Pressure:
 150 PSIG (NTA-15 thru NTA-60)*
 125 PSIG (NTA-80 thru NTA-280)*
 Temperature Range: -20°F to 240°F
 *200 and 250 PSIG available

Model Number	Part Number	Tank Volume (Gallons)	Acceptance Volume (Gallons)	Tagging Information	Quantity
NTA-15	19010015	7.8	6.3		
NTA-20	19010020	11	8.8		
NTA-40	19010040	25	20.2		
NTA-60	19010060	35	28		
NTA-80	19010080	45	36		
NTA-100	19010100	60	48.5		
NTA-120	19010120	70	56.5		
NTA-144	19010144	80	65		
NTA-180	19010180	90	73		
NTA-200	19010200	115	93		
NTA-240	19010240	140	113.5		
NTA-260	19010260	158	128		
NTA-280	19010280	211	171		

Typical Specification

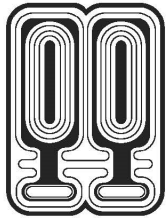
Furnish and install, as shown on plans, a _____ gallon _____" diameter X _____" tall pre-charged HVAC expansion tank with a fixed heavy-duty butyl diaphragm. The tank shall be equipped with a NPT system connection, and a 0.302"-32 charging valve connection (standard tire valve) to facilitate the on-site charging of the tank to meet system requirements. The tank must be constructed in accordance with most recent addendum of Section VIII Division 1 of the ASME Boiler and Pressure Vessel Code.

Each air separator shall be Wessels model number NTA-_____ or approved equal.



SINCE 1908
wessels
 company

101 Tank Street Greenwood, IN 46143
 P: 317-888-9800 F: 317-865-7411
 www.westank.com

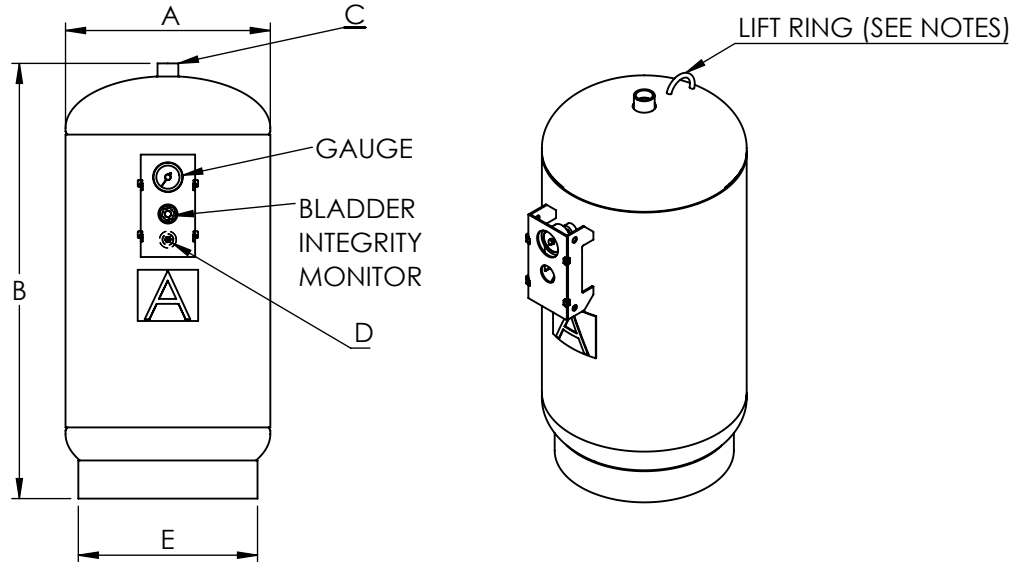


SINCE 1908
wessels
 company

SUBMITTAL

NTA-SERIES
 HVAC EXPANSION TANKS

Models: NTA-15 to NTA-280
 Submittal Sheet No. A-1004C Rev. 3 7/30/2019



NTA 15 thru NTA 280

Dimensions & Weights:

Model Number	Dimensions in Inches					Approx. Weight (lbs)	
	A	B	System Connection	Charging Valve	E		
			C	D			
NTA-15	12	19	3/4	0.302"-32NC	-	42	
NTA-20		25				52	
NTA-40	16	33	1		14	84	
NTA-60		44				97	
NTA-80	20	38	1 1/2		18	148	
NTA-100		49				175	
NTA-120	24	46			0.302"-32NC	22	259
NTA-144		49					268
NTA-180		52					283
NTA-200		66					325
NTA-240	30	78		1 1/2	24	362	
NTA-260		63				591	
NTA-280		81	752				

Notes:

- Tanks are factory pre-charged at 40 PSIG and field adjustable.
- California code-sight glass is available upon request.
- Lift ring on models NTA-40 thru NTA-280.
- Mounting clips are available upon request.



SINCE 1908
wessels
 company

101 Tank Street Greenwood, IN 46143
 P: 317-888-9800 F: 317-865-7411
 www.westank.com