

SINCE 1908  
**wessels**  
 company

SUBMITTAL

**SPA TRIM PACKAGE**

Models: SPA-2 thru SPA-24 Trim Package

Submittal Sheet No. D-1005A

Date: 4/16

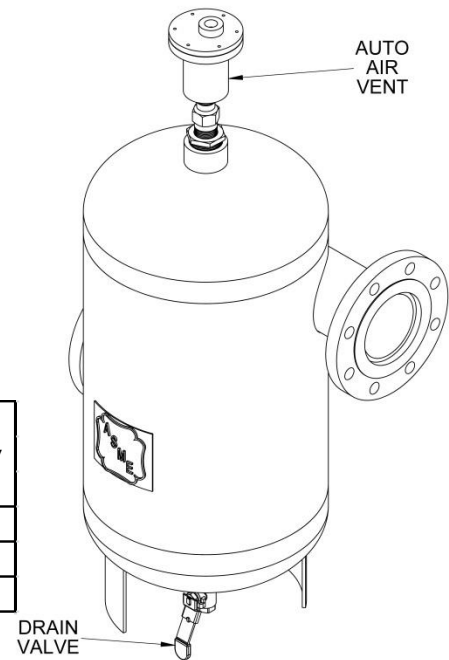
Job Name _____	Submitted By _____	Date _____
Location _____	Approved By _____	Date _____
_____	Order No. _____	Date _____
Engineer _____	Notes _____	
Contractor _____		
Sales Rep. _____		

**Description**

Wessels SPA Trim Package is designed to remove the harmful air and contaminants normally found in a closed loop heating or cooling system. When installed, the trim package will enable the end user to take full advantage of the SPA Air Separator's potential.

**Performance Limitations**

Maximum Pressure: 150 PSI  
 Maximum Temperature: 450°F



Model Number	Part Number	Tagging Information	Quantity
SPA-2 thru SPA-3	74099988		
SPA-4 thru SPA-5	74099989		
SPA-6 thru SPA-24	74099990		

**Dimensions & Weights**

Model Number	Part Description	Quantity	Material	Approx Shipping Weight
SPA-2 thru SPA-3	#706 Air Vent	1	Cast Iron	8 lbs
	1" Ball Valve	1	Brass	
	1 1/4" x 1/2" Bushing	1	Carbon Steel	
	1/2" Close Nipple	1		
SPA-4 thru SPA-5	#706 Air Vent	1	Cast Iron	9 lbs
	1" Ball Valve	1	Brass	
	1 1/2" x 1/2" Bushing	1	Carbon Steel	
	1/2" Close Nipple	1		
SPA-6 thru SPA-24	#706 Air Vent	1	Cast Iron	10 lbs
	1" Ball Valve	1	Brass	
	2" x 1/2" Bushing	1	Carbon Steel	
	1/2" Close Nipple	1		