

SINCE 1908
wessels
 company

SUBMITTAL

SS-SPA-SERIES
 SEVERE SERVICE AIR SEPARATOR

Models: SS-SPA-2 to SS-SPA-24
 Submittal Sheet No. H-1002A Rev. 2 10/4/2019

Job Name _____	Submitted By _____	Date _____
Location _____	Approved By _____	Date _____
_____	Order No. _____	Date _____
Engineer _____	Notes _____	_____
Contractor _____	_____	_____
Sales Rep. _____	_____	_____

Description

Wessels Severe Service SPA ASME Vortex type Air Separators are designed for systems that require more corrosive resistance than standard carbon steel. SPA separators eliminate air quickly and efficiently from open and closed loop heating / cooling systems. Water enters and exits through unique "tangential" connections, which promote a low velocity swirling effect in the center of the unit. Natural centrifugal forces allow the heavier air-free water to move toward the outer edges while entrained air is captured within the "eye" of the vortex and released out of the top of the separator. The bubble-free water then exits near the bottom of the unit, protecting the systems against the noise, corrosion, and damage commonly caused by entrained air.

Construction:

Shell: 304 Stainless Steel*
 Heads: 304 Stainless Steel*

*316L Stainless Steel Available

Design Parameters:

Maximum Design Pressure: 125 PSIG**
 Temperature Range: -20°F to 450°F

**200 & 250 PSIG available

MODEL NUMBER	PART NUMBER	MAX FLOW (GPM)	TAGGING INFORMATION	QUANTITY
SS-SPA-2	72050020	56		
SS-SPA-2.5	72050025	90		
SS-SPA-3	72050030	190		
SS-SPA-4	72050040	300		
SS-SPA-5	72050050	530		
SS-SPA-6	72050060	850		
SS-SPA-8	72050080	1900		
SS-SPA-10	72050100	3200		
SS-SPA-12	72050120	4800		
SS-SPA-14	72050140	6100		
SS-SPA-16	72050160	8000		
SS-SPA-18	72050180	9700		
SS-SPA-20	72050200	12000		
SS-SPA-22	72050220	15000		
SS-SPA-24	72050240	17000		

Typical Specification

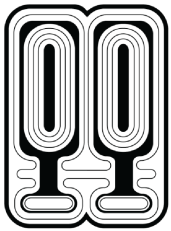
Furnish and install, as shown on plans, a listed 304 stainless steel vortex type air separator model SS-SPA _____-S sized for _____ GPM, with _____" (NPT/Flanged) tangential connections, as manufactured by Wessels Company. A blowdown connection shall be provided to facilitate routine cleaning of the unit. The tank must be constructed in accordance with most recent addendum of Section VIII Division 1 of the ASME Boiler and Pressure Vessel Code, and shall be constructed and stamped for 125 PSI working pressure @ 450°F. Products comply with NSF/ANSI Standard 61.

Each air separator shall be Wessels model number SS-SPA _____-S or approved equal.



SINCE 1908
wessels
 company

101 Tank Street Greenwood, IN 46143
 P: 317-888-9800 F: 317-865-7411
 www.westank.com

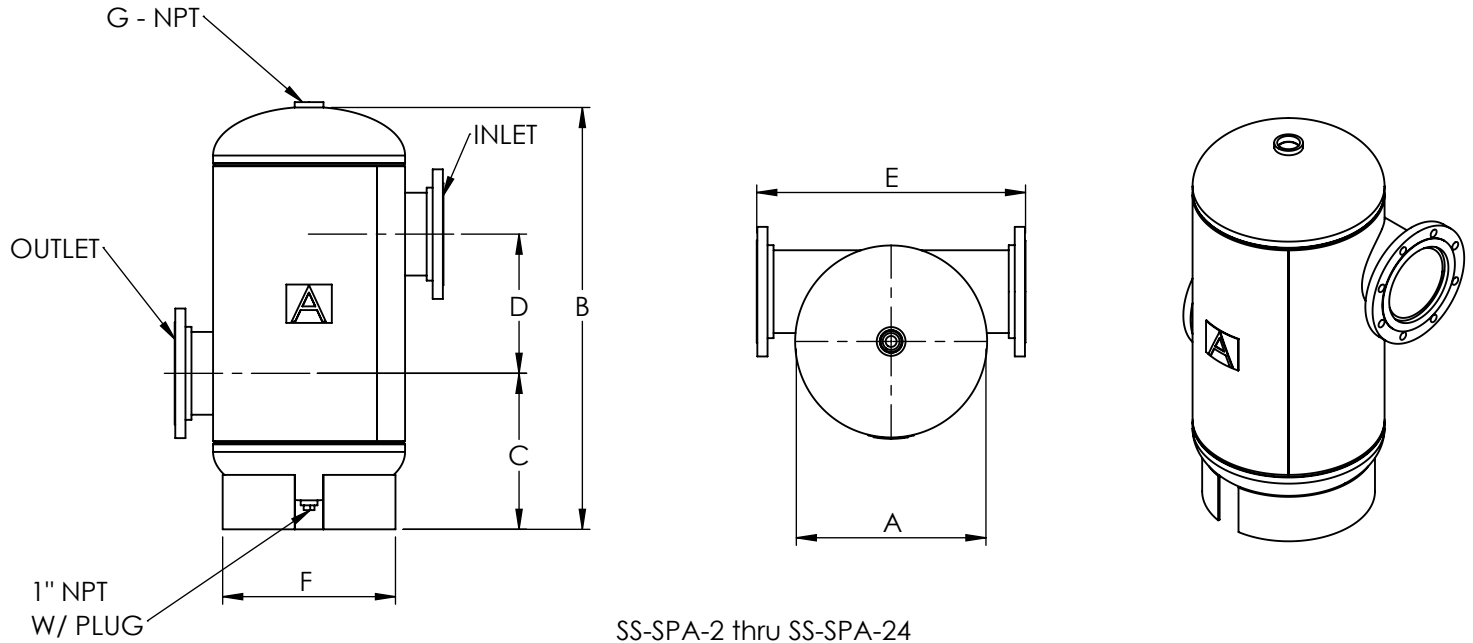


SINCE 1908
wessels
 company

SUBMITTAL

SS-SPA-SERIES
 SEVERE SERVICE AIR SEPARATOR

Models: SS-SPA-2 to SS-SPA-24
 Submittal Sheet No. H-1002A Rev. 2 10/4/2019



Dimensions & Weights:

Model Number	Dimensions in Inches								Approx. Shipping Weight (lbs)
	Connection Size	A	B	C	D	E	F	G	
SS-SPA-2	2 NPT	12 3/4	26 1/2	10 1/2	8 1/2	16 5/8	9 1/2	1 1/4	34
SS-SPA-2.5	2.5 NPT		27 1/2	11					37
SS-SPA-3	3		11 1/4	8					45
SS-SPA-4	4	14	32	12 1/8	10 3/4	21 3/4	11 1/2	1 1/2	80
SS-SPA-5	5		35						11 3/4
SS-SPA-6	6	20	44	16 1/4	14 1/2	28	18		175
SS-SPA-8	8								210
SS-SPA-10	10	30	60 1/2	21 1/2	20	41	24		460
SS-SPA-12	12								577
SS-SPA-14	14	36	78	24 1/2	31 1/2	46 3/8	30	2	850
SS-SPA-16	16	48	108	38	40	60	38		1858
SS-SPA-18	18	54	124	41	50	66	44		2490
SS-SPA-20	20	60	138	42 1/2	60	72	50		3346
SS-SPA-22	22	66	150	46	66	78	56		3879
SS-SPA-24	24					80			4211

Notes:

- Mounting Clips Available Upon Request
- Flanged connection is standard unless otherwise specified



SINCE 1908
wessels
 company

101 Tank Street Greenwood, IN 46143
 P: 317-888-9800 F: 317-865-7411
 www.westank.com