

SINCE 1908
wessels
 company

SUBMITTAL

SS-WVA-SERIES
 STAINLESS AIR & DIRT SEPARATOR

Models: SS-WVA-2 thru SS-WVA-12
 Submittal Sheet No. D-1006C Rev. 0 04/03/2026

Job Name _____	Submitted By _____	Date _____
Location _____	Approved By _____	Date _____
_____	Order No. _____	Date _____
Engineer _____	Notes _____	_____
Contractor _____	_____	_____
Sales Rep. _____	_____	_____

Description:

Wessels SS-WVA Stainless Steel Series Air & Dirt Separators are designed for corrosion resistant durability and to eliminate entrained air and particulate that can cause noise, reduce efficiency, and damage to any standard hydronic system. The design incorporates a skim valve, used to eliminate floating debris, removable end cover for coalescing medium access, and a connection for optional air vent to automatically release air from the separator.

Construction:

Shell: 304 Stainless Steel (optional: 316)
 Heads: 304 Stainless Steel (optional: 316)
 Coalescing Medium: 304 Stainless Steel
 Blow Down Valve (optional): Bronze
 Skim Valve (optional): Bronze
 Vent (optional): Stainless
 Exterior: Bead Blast

Design Parameters:

Design Temperature: 250°F
 Design Pressure: 150 PSIG*
 *125, 200 & 250 PSIG available

MODEL NUMBER	PART NUMBER	MAX FLOW (GPM)	TAGGING INFORMATION	QUANTITY
SS-WVA-2	72302539	69		
SS-WVA-2-NPT	72302577	69		
SS-WVA-2.5	72302578	108		
SS-WVA-2.5-NPT	72302579	108		
SS-WVA-3	72302550	144		
SS-WVA-3-NPT	72302580	144		
SS-WVA-4	72302572	255		
SS-WVA-5	72302581	398		
SS-WVA-6	72302561	570		
SS-WVA-8	72302582	945		
SS-WVA-10	72302583	1440		
SS-WVA-12	72302584	2100		

Typical Specification

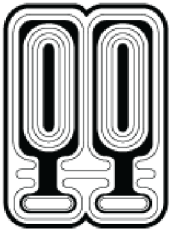
Furnish and install, as shown on plans, a 304 stainless steel SS-WVA-_____ Air & Dirt Separator as manufactured by Wessels Company. Each separator must be designed with a blow down valve, skim valve, and automatic air vent. The separator must also utilize in its design a stainless steel coalescing medium to aid in the separation of air and dirt in the systems entrained water. The separator must be constructed in accordance with most recent addendum of Section VIII Division 1 of the ASME Boiler and Pressure Vessel Code and shall be constructed and stamped for 150 PSI working pressure @ 250°F.

Each air separator shall be Wessels model number SS-WVA-_____ or approved equal.



SINCE 1908
wessels
 company

101 Tank Street Greenwood, IN 46143
 P: 317-888-9800 F: 317-865-7411
 www.westank.com

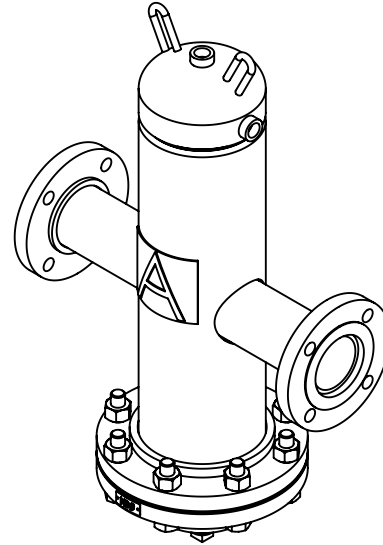
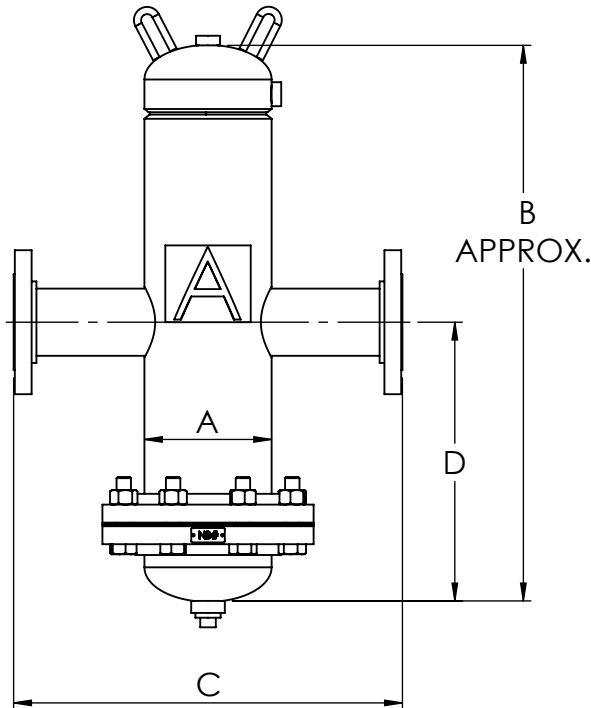


SINCE 1908
wessels
 company

SUBMITTAL

SS-WVA-SERIES
 STAINLESS AIR & DIRT SEPARATOR

Models: SS-WVA-2 thru SS-WVA-12
 Submittal Sheet No. D-1006C Rev. 0 04/03/2026



Dimensions & Weights:

Model Number	Dimensions in Inches					Approx. Shipping Weight (lbs)
	Connection Size	A	B APPROX.	C	D	
SS-WVA-2	2	4 1/2	23	15 1/4	11 1/2	100
SS-WVA-2-NPT				9		90
SS-WVA-2.5	2.5	5 9/16		15 3/4	14 1/2	125
SS-WVA-2.5-NPT				10 5/8		115
SS-WVA-3	3	6 5/8	29	20 1/4	19 1/2	150
SS-WVA-3-NPT				12 3/4		130
SS-WVA-4	4	8 5/8		20 5/8	250	
SS-WVA-5	5	10 3/4		39	27 3/4	310
SS-WVA-6	6	12 3/4	375			
SS-WVA-8	8	16	49	33 5/8	24 1/2	700
SS-WVA-10	10	20	65	37 1/2	32 1/2	1000
SS-WVA-12	12	24	76	42 1/2	38	1500

Notes:

- Trim package is optional.
- Optional Air Vent length is 8 5/8"
- U.S. Patent No. 10,708,538



SINCE 1908
wessels
 company

101 Tank Street Greenwood, IN 46143
 P: 317-888-9800 F: 317-865-7411
 www.westank.com