

SINCE 1908
wessels
 company

SUBMITTAL

SS-WVAN-HV-SERIES
 STAINLESS STEEL HIGH VELOCITY
 AIR & DIRT SEPARATOR

Models: SS-WVAN-2HV thru SS-WVAN-12HV
 Submittal Sheet No. D-1008C Rev. 0 05/11/2026

Job Name _____	Submitted By _____	Date _____
Location _____	Approved By _____	Date _____
_____	Order No. _____	Date _____
Engineer _____	Notes _____	_____
Contractor _____	_____	_____
Sales Rep. _____	_____	_____

Description:

Wessels SS-WVAN Stainless Steel High Velocity Non-Removable Series Air & Dirt Separators are designed for corrosion resistant durability and to eliminate entrained air and particulate that can cause noise, reduce efficiency, and damage to any standard hydronic system. The design incorporates a skim valve, used to eliminate floating debris, and a connection for optional air vent to automatically release air from the separator.

Construction:

Shell: 304 Stainless Steel (optional: 316)
 Heads: 304 Stainless Steel (optional: 316)
 Coalescing Medium: 304 Stainless Steel
 Blow Down Valve (optional): Bronze
 Skim Valve (optional): Bronze
 Vent (optional): Stainless
 Exterior: Bead Blast

Design Parameters:

Design Temperature: 250°F
 Design Pressure: 150 PSIG*
 *125, 200 & 250 PSIG available

MODEL NUMBER	PART NUMBER	MAX FLOW (GPM)	TAGGING INFORMATION	QUANTITY
SS-WVAN-2HV	72308533	105		
SS-WVAN-2HV-NPT	72308538	105		
SS-WVAN-2.5HV	72308543	155		
SS-WVAN-2.5HV-NPT	72308548	155		
SS-WVAN-3HV	72308553	225		
SS-WVAN-3HV-NPT	72308558	225		
SS-WVAN-4HV	72308565	405		
SS-WVAN-5HV	72302575	630		
SS-WVAN-6HV	72308585	910		
SS-WVAN-8HV	72308595	1610		
SS-WVAN-10HV	72308605	2450		
SS-WVAN-12HV	72308615	3500		

Typical Specification

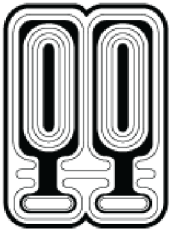
Furnish and install, as shown on plans, a 304 stainless steel SS-WVAN- _____ -HV Air & Dirt Separator as manufactured by Wessels Company. Each separator must be designed with a blow down valve, skim valve, and automatic air vent. The separator must also utilize in its design a stainless steel coalescing medium to aid in the separation of air and dirt in the systems entrained water. The separator must be constructed in accordance with most recent addendum of Section VIII Division 1 of the ASME Boiler and Pressure Vessel Code and shall be constructed and stamped for 150 PSI working pressure @ 250°F.

Each air separator shall be Wessels model number SS-WVAN- _____ -HV or approved equal.



SINCE 1908
wessels
 company

101 Tank Street Greenwood, IN 46143
 P: 317-888-9800 F: 317-865-7411
 www.westank.com

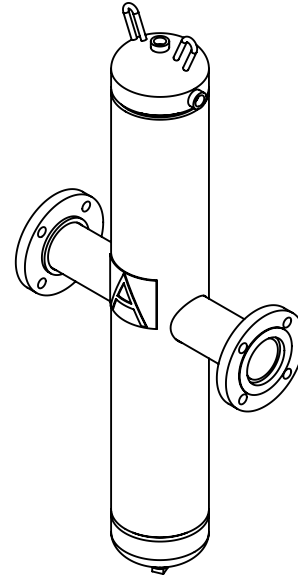
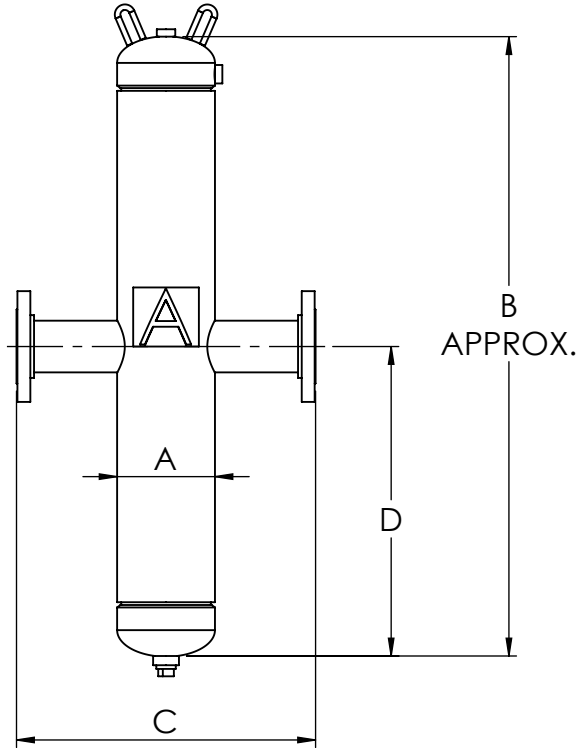


SINCE 1908
wessels
 company

SUBMITTAL

SS-WVAN-HV-SERIES
 STAINLESS STEEL HIGH VELOCITY
 AIR & DIRT SEPARATOR

Models: SS-WVAN-2HV thru SS-WVAN-12HV
 Submittal Sheet No. D-1008C Rev. 0 05/11/2026



Dimensions & Weights:

Model Number	Dimensions in Inches					Approx. Shipping Weight (lbs)
	Connection Size	A	B APPROX.	C	D	
SS-WVAN-2HV	2	4 1/2	33	15 1/4	16 1/2	100
SS-WVAN-2HV-NPT				9		90
SS-WVAN-2.5HV	2.5	5 9/16		15 3/4	21	125
SS-WVAN-2.5HV-NPT				10 5/8		115
SS-WVAN-3HV	3	6 5/8	42	21	150	
SS-WVAN-3HV-NPT			12 3/4		130	
SS-WVAN-4HV	4	8 5/8	59	20 5/8	29 1/2	250
SS-WVAN-5HV	5	10 3/4		27 3/4		310
SS-WVAN-6HV	6	12 3/4	75	37 1/2	46	375
SS-WVAN-8HV	8	16	92			700
SS-WVAN-10HV	10	20	110	42 1/2	55	1000
SS-WVAN-12HV	12	24	1500			

Notes:

- Trim package is optional.
- Optional Air Vent length is 8 5/8"
- U.S. Patent No. 10,708,538



SINCE 1908
wessels
 company

101 Tank Street Greenwood, IN 46143
 P: 317-888-9800 F: 317-865-7411
 www.westank.com