

SINCE 1908  
**wessels**  
 company

SUBMITTAL

**SS-SSA-SERIES**

SEVERE SERVICE SHOCK AND SURGE TANKS

Models: SS-SSA 1000 thru SS-SSA 15000

Submittal Sheet No. H-1009A

Date: 4/16

Job Name _____	Submitted By _____	Date _____
Location _____	Approved By _____	Date _____
_____	Order No. _____	Date _____
Engineer _____	Notes _____	
Contractor _____	_____	
Sales Rep. _____	_____	

**Description**

Wessels type SS-SSA severe service tanks are ASME 304 stainless steel replaceable bladder pre-charged hydro-pneumatic tanks for commercial, industrial, municipal and well water systems. They are used to effectively control water hammer shock, and pump start-up and shut-down water surge. They are designed for systems that require internal and external protection more robust than traditional fabricated steel designs. The vessels are fabricated to 250 PSI with large water system connection designed to accept potentially harmful water surge pressures quickly, with minimal pressure drop. The water is contained in a butyl bladder.

**Construction**

Shell: 304 Stainless Steel\*  
 Bladder: Heavy Duty Butyl  
 System Connection: 304 Stainless Steel\*

**Performance Limitations**

Maximum Design Temperature: 230°F  
 Maximum Design Pressure: 250 PSIG

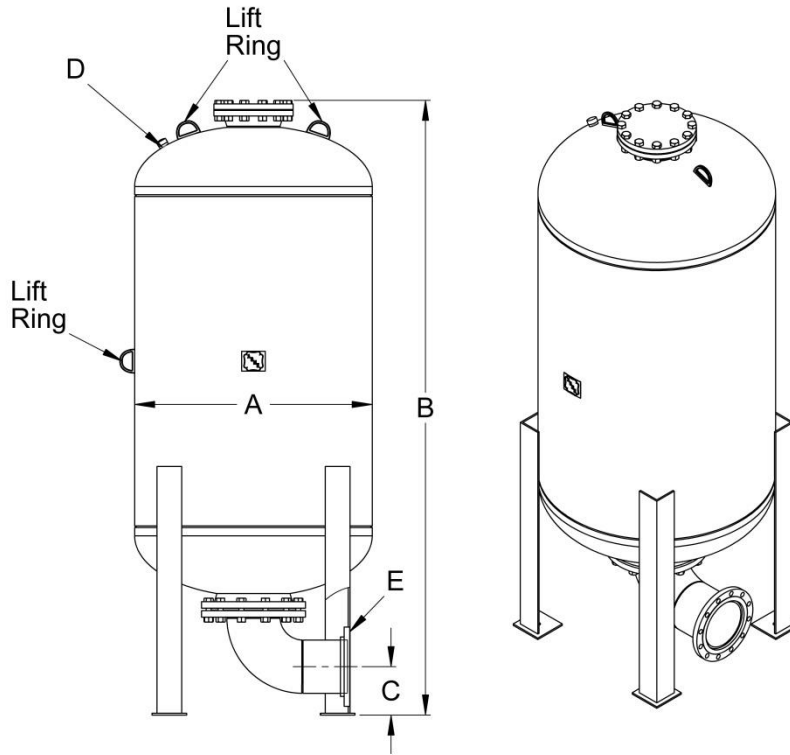
\*316L Stainless Steel Available

Model Number	Part Number	Tank Volume (Gallons)	Tagging Information	Quantity
SS-SSA-1000	26101137	264		
SS-SSA-1200	26101149	317		
SS-SSA-1400	26101161	370		
SS-SSA-1600	26101173	422		
SS-SSA-2000	26101185	528		
SS-SSA-2500	26101197	660		
SS-SSA-3000L	26101209	792		
SS-SSA-3000S	26101221	792		
SS-SSA-4000	26101233	1056		
SS-SSA-5000	26101245	1320		
SS-SSA-7500	26101257	1980		
SS-SSA-10000	26101269	2640		
SS-SSA-15000	26101281	3963		

**Typical Specification**

Furnish and install, as shown on plans, a \_\_\_\_\_ gallon \_\_\_\_\_" diameter X \_\_\_\_\_" (high) pre-charged 304 stainless steel hydro-pneumatic expansion tank with heavy-duty butyl bladder. The tank shall have flanged system connections and a 0.302"-32 charging valve connection (standard tire valve) to facilitate the on-site charging of the tank to meet system requirements. The tank must be constructed in accordance with most recent addendum of Section VIII Division 1 of the ASME Boiler and Pressure Vessel Code.

Each tank shall be Wessels model number SS-SSA-\_\_\_\_\_ or approved equal.



SS-SSA-1000 thru SS-SSA-15000

**Dimensions & Weights**

Model Number	Dimensions in Inches					Approx. Ship Wt. (lbs)				
	A	B	C	Charging Valve	System Connection					
				D	E					
SS-SSA-1000	36	96	10 1/2	0.302" -32NC	10 F	1347				
SS-SSA-1200		107				1523				
SS-SSA-1400		119				1647				
SS-SSA-1600	48	92				1650				
SS-SSA-2000		105				1824				
SS-SSA-2500		122				2052				
SS-SSA-3000L	60	138				12	12 F	2267		
SS-SSA-3000S		108						2492		
SS-SSA-4000		133						2965		
SS-SSA-5000	72	152						12	12 F	3355
SS-SSA-7500		165								4798
SS-SSA-10000		196	5819							
SS-SSA-15000	217	6510								

**Notes**

- Tanks are factory pre-charged at 30 psi and field adjustable
- F-Flanged Connection/ G-Grooved Pipe Connection (Available)