

SINCE 1908  
**wessels**  
 company

SUBMITTAL

**TTA-Rx-FF-SERIES**

THERMAL SILVER FULL-FLOW EXPANSION TANKS

Models: TTA-5-Rx-FF thru TTA-210-Rx-FF

Submittal Sheet No. B-1008A

Date: 6/20

Job Name _____	Submitted By _____	Date _____
Location _____	Approved By _____	Date _____
_____	Order No. _____	Date _____
Engineer _____	Notes _____	_____
Contractor _____	_____	_____
Sales Rep. _____	_____	_____

**Description**

Wessels TTA-Rx-FF tanks are ASME diaphragm type pre-charged thermal expansion tanks for commercial and industrial potable hot water applications. The TTA-Rx-FF is designed as a multifunctional diaphragm tank for controlling system pressures in water heating systems. The TTA-Rx-FF design incorporates a unique flow-through design that promotes fluid mixing. Mixing of the fluid inside the bladder tank disrupts stagnant water, preventing growth of potentially harmful bacteria colonies. The flow through chamber is plated in antimicrobial silver.

**Construction**

Shell: Carbon Steel  
 Bladder: Heavy-duty Butyl (FDA Approved)  
 System Connections: 304 Stainless Steel  
 Full-Flow Chamber: Silver Plated  
 304 Stainless Steel

**Performance Limitations**

Maximum Design Temperature: 240°F  
 Maximum Design Pressure: 150 PSIG\*

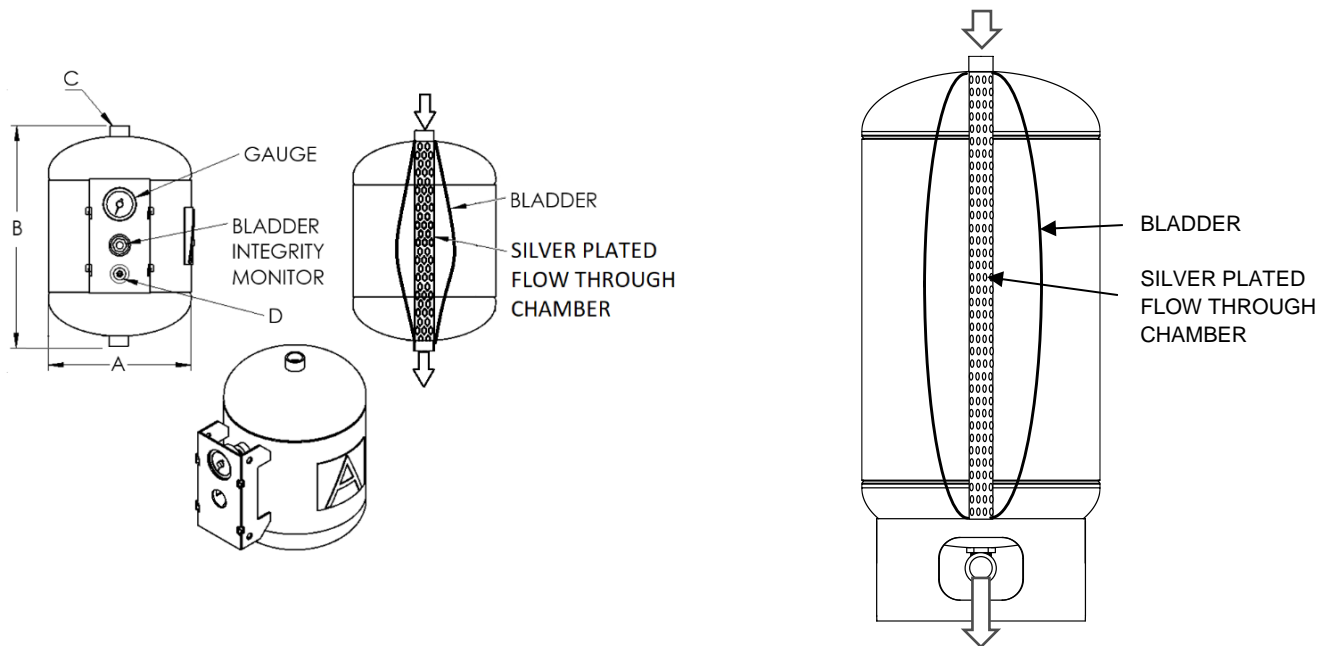
\*200 & 250 PSIG available

Model Number	Part Number	Tank Volume (Gallons)	Acceptance Volume (Gallons)	Tagging Information	Quantity
TTA-5-Rx-FF	18120005	3.5	2.3		
TTA-12-Rx-FF	18120012	5	3.3		
TTA-20-Rx-FF	18120020	8	5.3		
TTA-30-Rx-FF	18120030	15	10		
TTA-42-Rx-FF	18120042	22	14.5		
TTA-60-Rx-FF	18120060	26	17.5		
TTA-80-Rx-FF	18120080	35	23.5		
TTA-100-Rx-FF	18120100	45	30		
TTA-125-Rx-FF	18120125	60	40		
TTA-160-Rx-FF	18120160	70	47		
TTA-180-Rx-FF	18120180	80	53		
TTA-210-Rx-FF	18120210	90	60		

**Typical Specification**

Furnish and install, as shown on plans, a \_\_\_\_\_ gallon \_\_\_\_\_" diameter X \_\_\_\_\_" (high) pre-charged steel model \_\_\_\_\_ tank. The tank is to incorporate a flow through design, eliminating water stagnation potential. The flow through chamber will incorporate silver plated antimicrobial material. The tank shall be equipped with NPT stainless steel system connections, and a 0.302"-32 charging valve connection (standard tire valve) to facilitate the on-site charging of the tank to meet system requirements. The tank must be constructed with most recent addendum of Section VIII of the ASME Boiler and Pressure Vessel Code and stamped for 150 psi.

Each tank shall be Wessels model number TTA-\_\_\_\_\_-Rx-FF or approved equal.



TTA-5-Rx-FF &amp; TTA-12-Rx-FF

TTA-20-Rx-FF thru TTA-210-Rx-FF

### Dimensions & Weights

Model Number	Dimensions in Inches					Approx. Ship Weight (lbs)
	A	B	System Connection	Charging Valve	E	
			C	D		
TTA-5-Rx-FF	10	14	3/4	0.302" -32NC	-	22
TTA-12-Rx-FF	12	14			-	28
TTA-20-Rx-FF		20			10	34
TTA-30-Rx-FF	16	24	1		14	64
TTA-42-Rx-FF		31				88
TTA-60-Rx-FF		34				93
TTA-80-Rx-FF		45				109
TTA-100-Rx-FF	20	39	1 1/2		18	148
TTA-125-Rx-FF		50				175
TTA-160-Rx-FF	24	47	1 1/2		22	259
TTA-180-Rx-FF		50		268		
TTA-210-Rx-FF		53		283		

### Notes

- Tanks are factory pre-charged at 40 psi and field adjustable.
- California code-sight glass is available upon request.
- Lift ring on models TTA-20-Rx-FF thru TTA-210-Rx-FF
- Available with mounting clips.