

SINCE 1908  
**wessels**  
 company

SUBMITTAL

**TXA-SERIES**

DOMESTIC HOT WATER  
 EXPANSION TANKS

Models: TXA-35 TO TXA-800L

Submittal Sheet No. B-1004A

Rev. 2

1/28/2019

Job Name _____	Submitted By _____	Date _____
Location _____	Approved By _____	Date _____
_____	Order No. _____	Date _____
Engineer _____	Notes _____	_____
Contractor _____	_____	_____
Sales Rep. _____	_____	_____

**Description:**

Wessels patented type TXA tanks are ASME replaceable bladder type pre-charged domestic hot water expansion tanks for commercial and industrial potable hot water applications. They are designed to be installed between a backflow preventer and a hot water heater so it can accept the expanded volume of hot water and keep the system pressure below the relief valve setting. The water is contained in a butyl bladder. All TXA expansion tanks can be installed vertically or horizontally. Products comply with NSF/ANSI Standard 61.

**Construction:**

Shell: Carbon Steel  
 Heads: Carbon Steel  
 Exterior: Carbocoat 140 - Harvester Red  
 Bladder: Heavy-duty Butyl (FDA Approved)  
 System Connection: Stainless Steel

**Design Parameters:**

Maximum Design Pressure: 150 PSIG\*  
 Temperature Range: -20°F to 240°F

\*200 & 250 PSIG available

Model Number	Part Number	Tank Volume (Gallons)	Tagging Information	Quantity
TXA-35	20010035	10		
TXA-50	20010050	13		
TXA-85	20010085	23		
TXA-130	20010130	35		
TXA-200	20010200	53		
TXA-300	20010300	79		
TXA-400	20010400	106		
TXA-500	20010500	132		
TXA-600	20010600	158		
TXA-800L	20010805	211		

**Typical Specification**

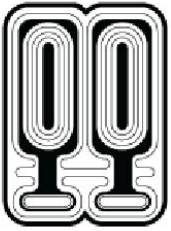
Furnish and install, as shown on plans, a \_\_\_\_\_ gallon \_\_\_\_\_" diameter X \_\_\_\_\_" (high) pre-charged steel domestic hot water expansion tank with replaceable FDA approved butyl bladder. The tank shall have a bottom NPT stainless steel system connection, a 0.302"-32 charging valve connection (standard tire valve) to facilitate the on-site charging of the tank to meet system requirements, a pressure gauge, and bladder integrity monitor. The tank shall be fitted with lifting rings and a floor mounting skirt for vertical installation. The tank must be constructed in accordance with most recent addendum of Section VIII Division 1 of the ASME Boiler and Pressure Vessel Code and stamped 150 psi working pressure. Products comply with NSF/ANSI Standard 61.

Each tank shall be Wessels model number TXA-\_\_\_\_\_ or approved equal.



SINCE 1908  
**wessels**  
 company

101 Tank Street Greenwood, IN 46143  
 P: 317-888-9800 F: 317-865-7411  
 www.westank.com



SINCE 1908  
**wessels**  
 company

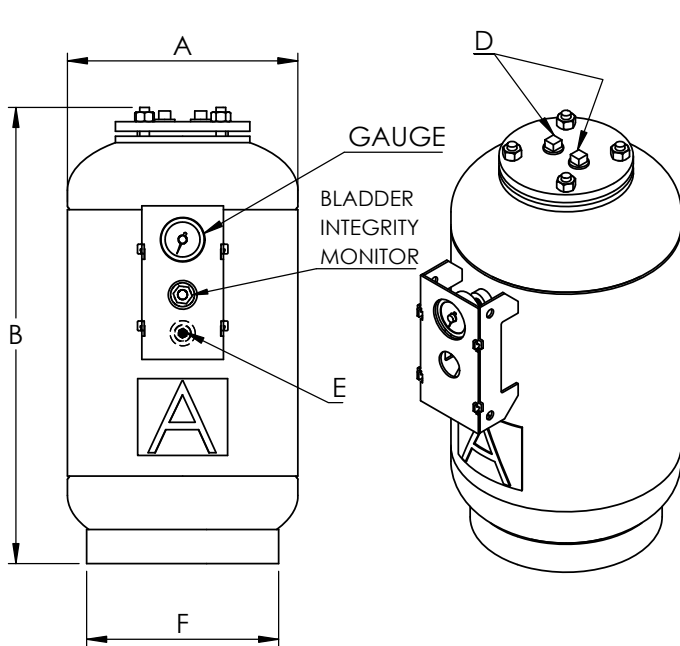
SUBMITTAL

# TXA-SERIES

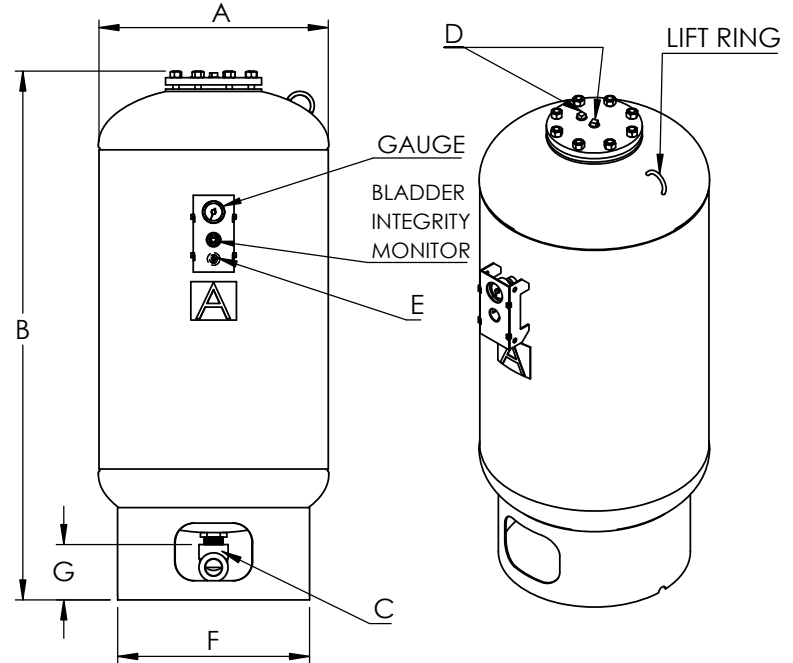
DOMESTIC HOT WATER  
 EXPANSION TANKS

Models: TXA-35 TO TXA-800L

Submittal Sheet No. B-1004A Rev. 2 1/28/2019



TXA-35 & TXA-50



TXA-85 TO TXA-800L

## Dimensions & Weights:

Model Number	Dimensions in Inches						Approx. Shipping Weight (lbs)	
	A	B	System Connection		Charging Valve	F		G
			C	D	E			
TXA-35	12	23 1/2	-	3/4 NPT	0.302"-32NC	10	-	40
TXA-50	14	24				10	-	50
TXA-85	16	37	1 NPT	3/4 NPT	0.302"-32NC	12	5 1/2	90
TXA-130	20					16		125
TXA-200	24	43	1 1/2 NPT	3/4 NPT	0.302"-32NC	20	5 1/4	210
TXA-300		55						225
TXA-400	30	49	2 NPT	3/4 NPT	0.302"-32NC	24	5 1/4	300
TXA-500		57						335
TXA-600	32	65	2 NPT	3/4 NPT	0.302"-32NC	28	5 1/4	360
TXA-800L		76						475

## Notes:

- Tanks are factory pre-charged at 40 psig and field adjustable.
- California code-sight glass is available upon request.
- Both top and bottom connections (C and D) access the bladder.
- Bottom connection C is intended to be used for main water supply connection. Top connection D can be used for auxiliary gauge, pressure switch, etc.
- Mounting clips are available upon request.
- U.S. Patent No. 8,633,825 B2.



SINCE 1908  
**wessels**  
 company

101 Tank Street Greenwood, IN 46143  
 P: 317-888-9800 F: 317-865-7411  
 www.westank.com