

SINCE 1908
wessels
 company

SUBMITTAL

WVAA-SERIES

AIR SEPARATOR

Models: WVAA-2 thru WVAA-12

Submittal Sheet No. D-1012B

Date: 10/17

Job Name _____	Submitted By _____	Date _____
Location _____	Approved By _____	Date _____
_____	Order No. _____	Date _____
Engineer _____	Notes _____	_____
Contractor _____	_____	_____
Sales Rep. _____	_____	_____

Description

Wessels WVAA series Air Separators are designed to eliminate entrained air with start-up and maintenance of any hydronic system. The design incorporates a skim valve for eliminating floating debris, and an air vent to automatically release air from the separator.

Construction

Shell: Carbon Steel
 Coalescing Medium: Stainless Steel
 Blow Down Valve (optional): Brass
 Skim Valve (optional): Brass
 Vent (optional): Cast Iron

Performance Limitations

Maximum Design Temperature: 250°F
 Maximum Design Pressure: 150 PSIG*

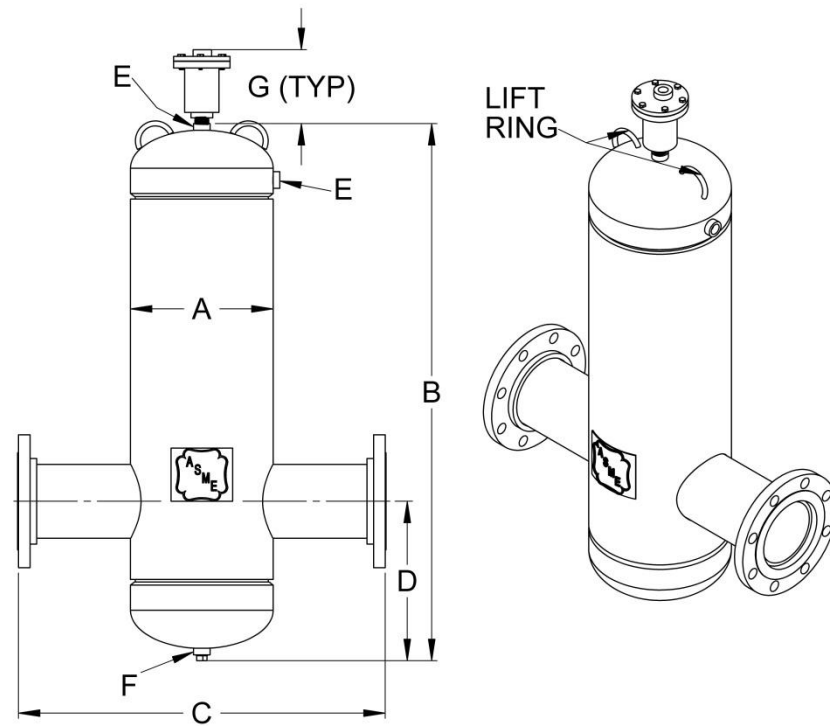
*125, 200 & 250 PSIG available

Model Number	Part Number	Max Flow (GPM)	Tagging Information	Quantity
WVAA-2	72304002	69		
WVAA-2-NPT	72304014	69		
WVAA-2.5	72304038	108		
WVAA-2.5-NPT	72304050	108		
WVAA-3	72304074	144		
WVAA-3-NPT	72304086	144		
WVAA-4	72304110	255		
WVAA-5	72304146	398		
WVAA-6	72304170	570		
WVAA-8	72304194	945		
WVAA-10	72304218	1440		
WVAA-12	72304242	2100		

Typical Specification

Furnish and install, as shown on plans, a WVAA-_____ Air Separator as manufactured by Wessels Company. Each separator must be designed with a blow down valve, skim valve, and automatic air vent. The separator must also utilize in its design a stainless steel coalescing medium to aid in the separation of air in the system's entrained water. The separator must be constructed in accordance with the most recent addendum of Section VIII Division 1 of the ASME Boiler and Pressure Vessel Code and shall be constructed and stamped for 150 PSI working pressure @ 250°F.

Each air separator shall be Wessels model number WVAA-_____ or approved equal.



WVAA-2 thru WVAA-12

Dimensions & Weights

Model Number	Dimensions in Inches								Approx Shipping Wt (lbs)			
	Connection Size	A	B	C	D	E	F	G				
WVAA-2	2	4	18 1/2	15 1/4	7	1/2	1	8 5/8	35			
WVAA-2-NPT				10 3/8					26			
WVAA-2.5	2.5	5		15 3/4					61			
WVAA-2.5-NPT				11					38			
WVAA-3	3	6	23	20 1/4	8 1/2				1/2	1	8 5/8	71
WVAA-3-NPT				12 1/2								56
WVAA-4	4	8		20 5/8								11 1/2
WVAA-5	5	10	31	27 3/4	92							
WVAA-6	6	12			36							33 5/8
WVAA-8	8	16	46	37 1/2								
WVAA-10	10	20			54							42 1/2
WVAA-12	12	24	16	564								

Notes

- Trim package is optional.