

SINCE 1908  
**wessels**  
 company

SUBMITTAL

**WVND-SERIES**  
 AIR & DIRT SEPARATOR

Models: WVND-2 thru WVND-12

Submittal Sheet No. D-1121B

Date: 10/17

|                  |                    |            |
|------------------|--------------------|------------|
| Job Name _____   | Submitted By _____ | Date _____ |
| Location _____   | Approved By _____  | Date _____ |
| _____            | Order No. _____    | Date _____ |
| Engineer _____   | Notes _____        | _____      |
| Contractor _____ | _____              | _____      |
| Sales Rep. _____ | _____              | _____      |

**Description**

Wessels WVND series Dirt Separators are designed to separate entrained debris associated with start-up and maintenance of any hydronic system. The design incorporates a skim valve that is for eliminating floating debris, and an air vent to automatically release air from the separator.

**Construction**

Shell: Carbon Steel  
 Coalescing Medium: Stainless Steel  
 Blow Down Valve (optional): Brass  
 Skim Valve (optional): Brass  
 Vent (optional): Cast Iron

**Performance Limitations**

Maximum Design Temperature: 250°F  
 Maximum Design Pressure: 150 PSIG\*

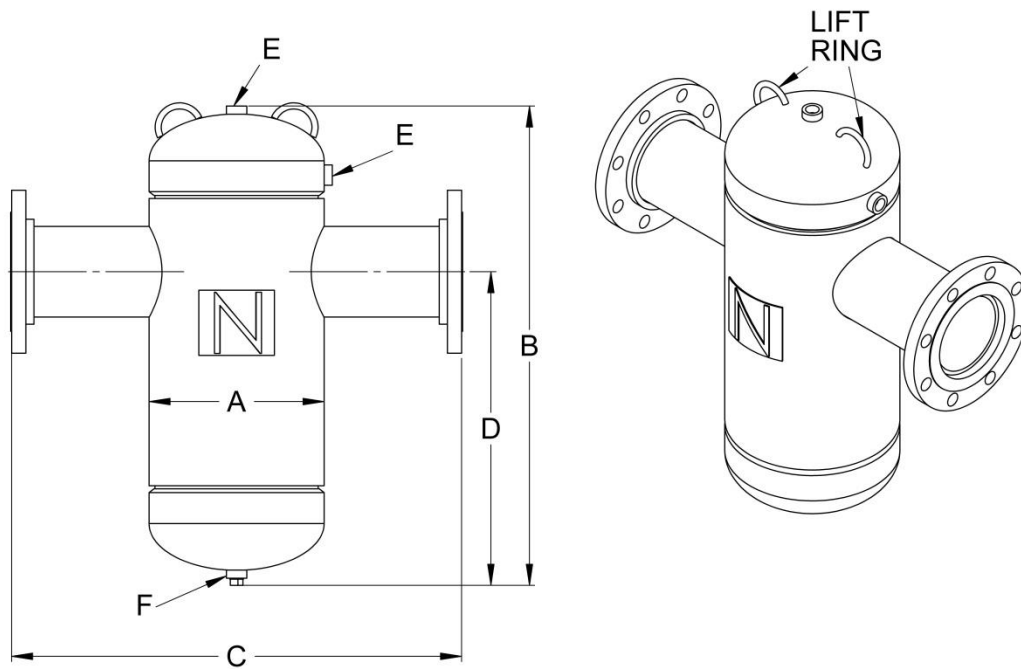
\*200 & 250 PSIG available

| Model Number | Part Number | Max Flow (GPM) | Tagging Information | Quantity |
|--------------|-------------|----------------|---------------------|----------|
| WVND-2       | 72316002    | 69             |                     |          |
| WVND-2-NPT   | 72316014    | 69             |                     |          |
| WVND-2.5     | 72316026    | 108            |                     |          |
| WVND-2.5-NPT | 72316038    | 108            |                     |          |
| WVND-3       | 72316050    | 144            |                     |          |
| WVND-3-NPT   | 72316062    | 144            |                     |          |
| WVND-4       | 72316074    | 255            |                     |          |
| WVND-4-NPT   | 72316086    | 255            |                     |          |
| WVND-5       | 72316098    | 398            |                     |          |
| WVND-6       | 72316110    | 570            |                     |          |
| WVND-8       | 72316122    | 945            |                     |          |
| WVND-10      | 72316134    | 1440           |                     |          |
| WVND-12      | 72316146    | 2100           |                     |          |

**Typical Specification**

Furnish and install, as shown on plans, a WVND-\_\_\_\_\_ Dirt Separator as manufactured by Wessels Company. Each separator must be designed with a blow down valve, skim valve, and automatic air vent. The separator must also utilize in its design a stainless steel coalescing medium to aid in the separation of air and dirt in the system's entrained water. The separator shall be constructed and stamped for 150 PSI working pressure @ 250°F.

Each air separator shall be Wessels model number WVND-\_\_\_\_\_ or approved equal.



WVND-2 thru WVND-12

### Dimensions & Weights

| Model Number | Dimensions in Inches |    |        |        |        |     |   | Approx Shipping Wt (lbs) |
|--------------|----------------------|----|--------|--------|--------|-----|---|--------------------------|
|              | Connection Size      | A  | B      | C      | D      | E   | F |                          |
| WVND-2       | 2                    | 4  | 18 1/2 | 15 1/4 | 11 1/2 | 1/2 | 1 | 35                       |
| WVND-2-NPT   |                      |    |        | 10 3/8 |        |     |   | 26                       |
| WVND-2.5     | 2.5                  | 5  |        | 15 3/4 |        |     |   | 61                       |
| WVND-2.5-NPT |                      |    | 11     | 38     |        |     |   |                          |
| WVND-3       | 3                    | 6  | 23     | 20 1/4 | 14 1/2 |     |   | 71                       |
| WVND-3-NPT   |                      |    |        | 12 1/2 |        |     |   | 56                       |
| WVND-4       | 4                    | 8  |        | 20 5/8 |        |     |   | 105                      |
| WVND-4-NPT   |                      |    | 15     | 91     |        |     |   |                          |
| WVND-5       | 5                    | 10 | 31     | 27 3/4 | 19 1/2 |     |   | 92                       |
| WVND-6       | 6                    | 12 |        |        |        |     |   | 129                      |
| WVND-8       | 8                    | 16 | 36     | 33 5/8 | 24 1/2 |     |   | 225                      |
| WVND-10      | 10                   | 20 | 46     | 37 1/2 | 32 1/2 |     |   | 375                      |
| WVND-12      | 12                   | 24 | 54     | 42 1/2 | 38     | 564 |   |                          |

#### Notes

- Trim package is optional.