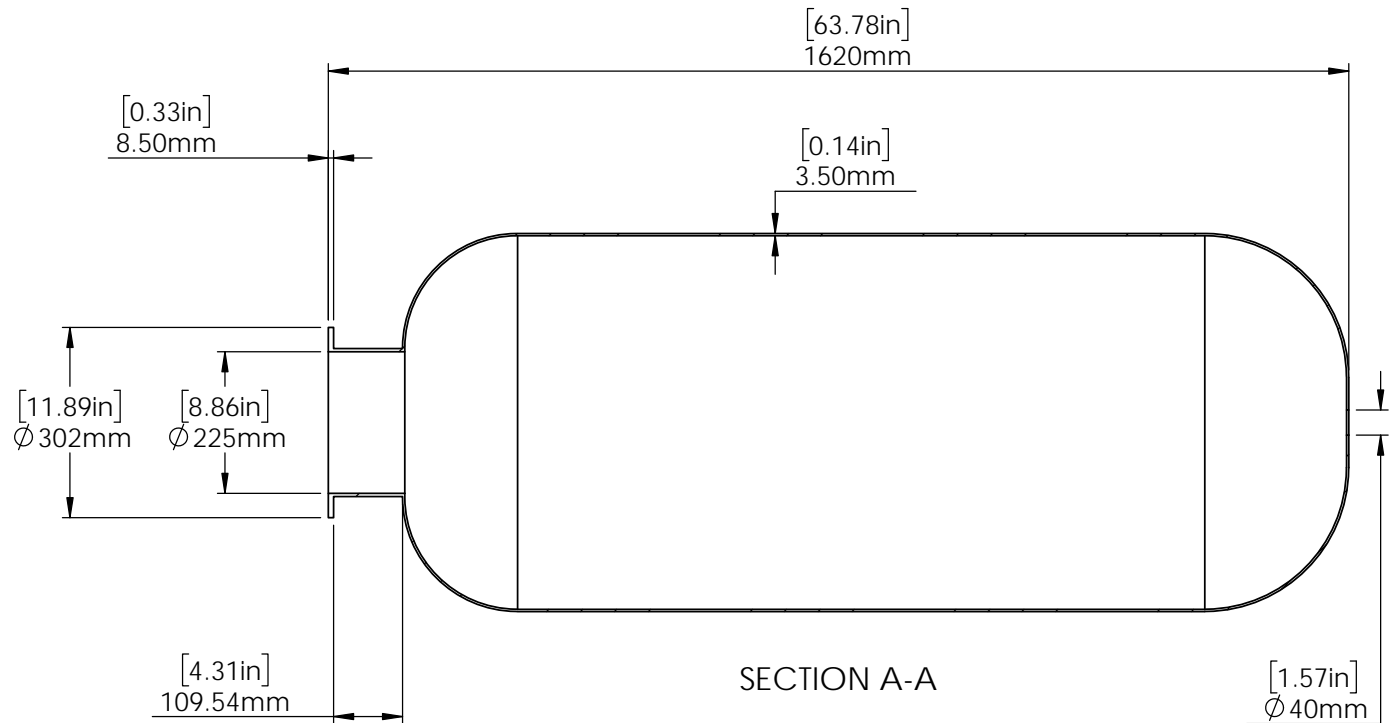
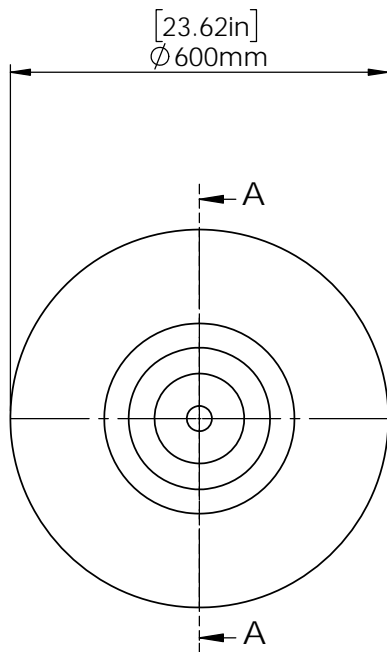


REV.		DATE	REVISIONS DESCRIPTION	OCM	EM
0		4/22/13	ORIGINAL		
1		10/16/17	UPDATED DIMENSIONS TO VENDOR DRAWING		



NOTES:
1. BLADDER TO BE 3.5MM THICK BUTYL RUBBER.

UNLESS OTHERWISE SPECIFIED:

DIMENSIONS ARE IN MM [IN]
TOLERANCES:
FRACTIONAL ±1/16"
ANGULAR: MACH ±1° BEND ±1°
TWO PLACE DECIMAL ±.031
THREE PLACE DECIMAL ±.010



SINCE 1908
wessels
company

BLADDER: 1000 LITER BUTYL

SCALE: 1:12
DATE: 4/22/2013 BY: AJ

P/N: 9800208-1